

**Precision meets Motion**



**Programmübersicht - Einsätze**  
Program Overview - Inserts

**EWS . Varia / Varia VX**



*Präzise, schnell und leistungsstark, das sind die Attribute der neuen Werkzeugmaschinen-Generation. Genau diese Anforderungen werden im neuen **EWS .Varia VX** System umgesetzt.*

*Precise, fast and efficient – these are the characteristics of the next generation of machine tools. The new **EWS .Varia VX** system meets all of these attributes.*

## **EWS .Varia**

Das Schnellwechselsystem EWS-Varia ermöglicht das flexible Rüsten einer modernen CNC-Drehmaschine oder eines Dreh-Fräszentrums.

The quick change system EWS-Varia allows to set-up a modern CNC lathe or a turning milling center – and this flexibly.

### **Vorteile**

- Schneidwerkzeuge liegen voreingestellt an der Maschine
- Schnellwechsel über nur eine Klemmstelle
- Mechanisch beaufschlagter Werkzeugauswurf
- Kein Verletzungsrisiko beim Werkzeugwechsel
- Querkraftfreies Spannen der Einsätze
- Sichere Drehmomentübertragung
- Keine losen Teile!

### **Advantages**

- preset cutting tools are laying ready at the machine
- quick change through only one clamping point
- mechanically superimposed ejector system
- no risk of injury when changing tools
- clamping of the inserts without any radical force
- safe torque transmission
- no loose parts!



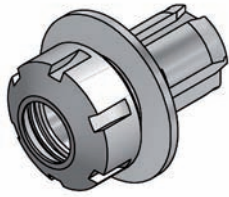
Varia Einsätze Varia Inserts	Seite Page
■ V3 / V4	8.01 - 8.13
■ VX3 / VX4	8.14 - 8.18
■ V5	8.19 - 8.30



Weitere Informationen zum **EWS .Varia** Schnellwechselsystem finden Sie unter <http://www.ews-tools.de>

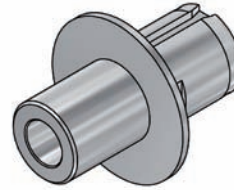


## Inhaltsverzeichnis / Contents : Varia V3/V4



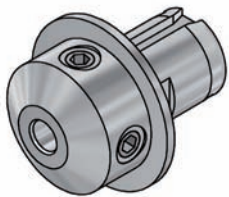
**Spannzangen-  
einsatz/  
Collet chuck**

8.01 - 8.02



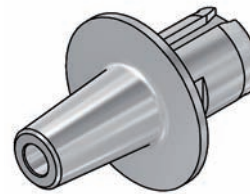
**Morsekegel/  
Morse taper adaptor**

8.08



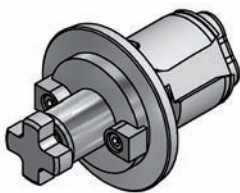
**Weldon/whistle  
notch Einsatz/  
Weldon/whistle  
notch insert**

8.03 - 8.04



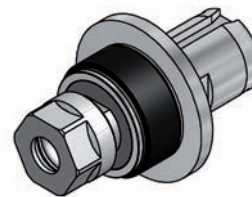
**Vollbohrerhalter/  
U-drill holder**

8.09



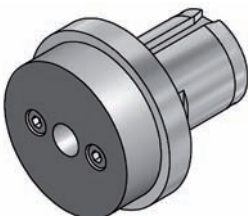
**Fräseinsatz/  
Millering insert**

8.05



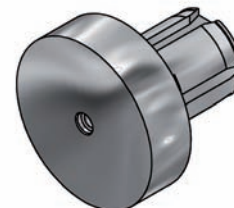
**Gewindeschneidkopf/  
Tapping head**

8.10



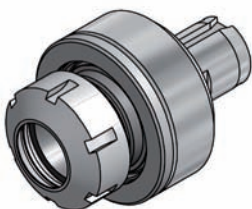
**Hydrodehn Einsatz/  
Hydrodehn insert**

8.06



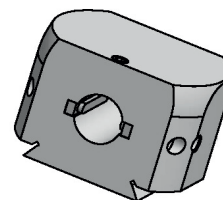
**Verschlussstopfen/  
Plug**

8.11



**Pendelhalter Spann-  
zangeneinsatz/  
Floating toolholder  
collet chuck**

8.07



**Montageblock/  
Assembly block**

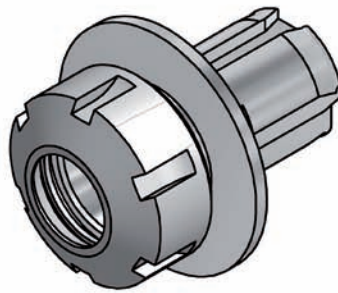
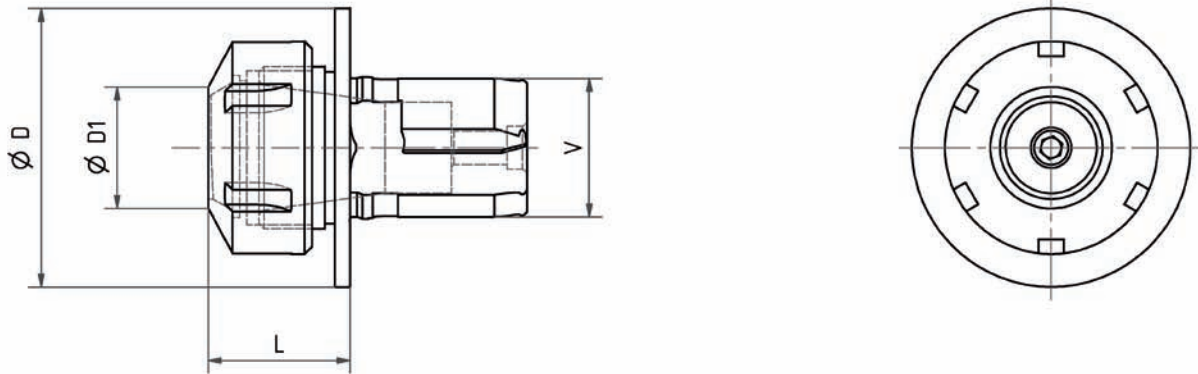
8.12 - 8.13

## Spannzangeneinsatz

EWS-Varia V3/V4

## Collet chuck

EWS-Varia V3/V4



Nr. / No.	V	D	D1	L
31.V316L103	V3	55	28	103
31.V316L25	V3	55	28	25
31.V320L27	V3	55	34	27
31.V325L30	V3	55	42	30
31.V325L60	V3	55	42	60
31.V325L75	V3	55	42	75
31.V325L80MM	V3	55	35	80
31.V332L63	V3	55	50	63
31.V416L23.5	V4	65	28	23,5
31.V416L30	V4	65	28	30
31.V416L50	V4	65	28	50
31.V416L70	V4	65	28	70
31.V420L25	V4	65	34	25

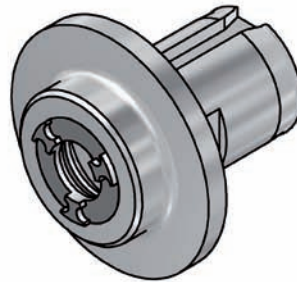
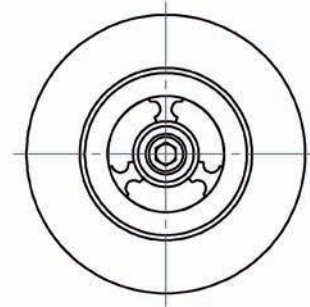
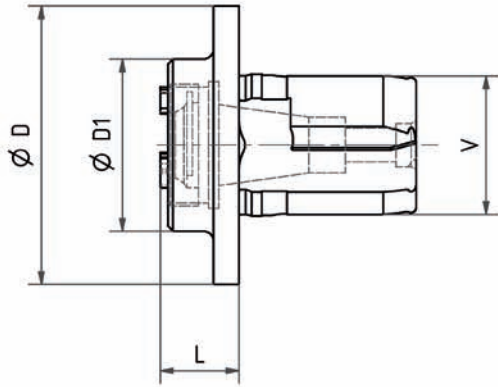
Nr. / No.	V	D	D1	L
31.V420L50	V4	65	34	50
31.V425L28	V4	65	42	28
31.V425L60	V4	65	42	60
31.V432L30	V4	65	50	30
31.V432L50	V4	65	50	50
31.V432L80	V4	65	50	80
31.V440L57	V4	65	63	57

## Spannzangeneinsatz

EWS-Varia V3/V4

## Collet chuck

EWS-Varia V3/V4



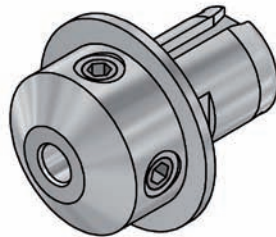
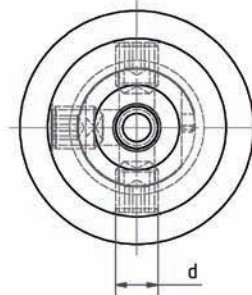
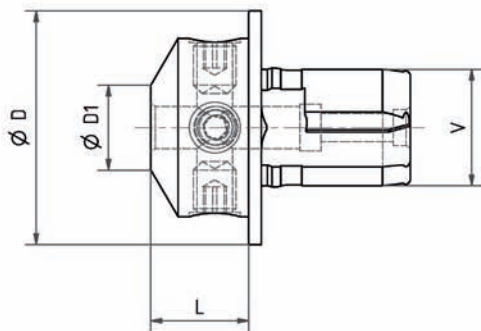
Nr. / No.	V	D	D1	L
31.V316IML14	V3	55	34	14
31.V320IML17	V3	55	40	17
31.V420IML15	V4	65	38	15

## Weldon / whistle notch Einsatz

EWS-Varia V3/V4

## Weldon / whistle notch insert

EWS-Varia V3/V4



Nr. / No.	V	D	D1	L	d
27.V303WNL16	V3	55	20	16	3
27.V304WNL16	V3	55	25	16	4
27.V305WNL16	V3	55	25	16	5
27.V306.35WNL06	V3	55	59	6	6,35
27.V306.35WNL26	V3	55	25	26	6,35
27.V306WNL03	V3	55	45	3	6
27.V306WNL16	V3	55	25	16	6
27.V306WNL25	V3	55	25	6	6
27.V306WNL75	V3	55	25	75	6
27.V307WNL16	V3	55	25	16	7
27.V308WNL03	V3	55	54	3	8
27.V308WNL06	V3	55	59	6	8
27.V308WNL17	V3	55	25	17	8
27.V308WNL26	V3	55	25	26	8
27.V308WNL75	V3	55	25	75	8
27.V309.53WNL06	V3	55	59	6	9,53
27.V309.53WNL26	V3	55	42	26	9,53
27.V310WNL06	V3	55	59	6	10

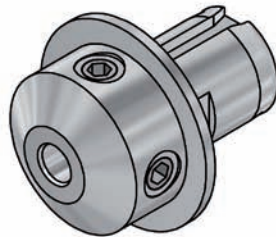
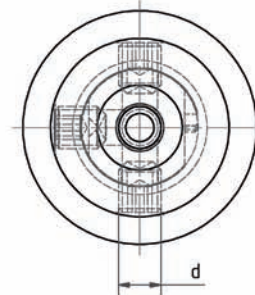
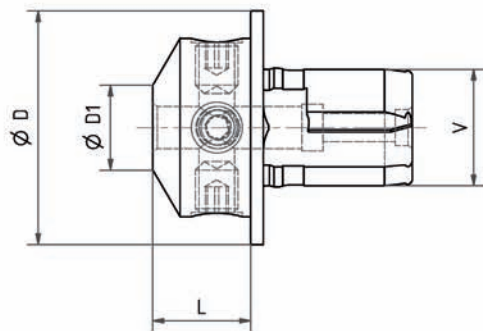
Nr. / No.	V	D	D1	L	d
27.V310WNL26	V3	55	42	26	10
27.V310WNL65	V3	55	42	65	10
27.V310WNL75	V3	55	42	75	10
27.V312.5WNL26	V3	55	42	26	12,5
27.V312.7WNL06	V3	55	59	6	12,7
27.V312.7WNL26	V3	55	42	26	12,7
27.V312WNL06	V3	55	59	6	12
27.V312WNL26	V3	55	42	26	12
27.V312WNL65	V3	55	42	65	12
27.V314WNL28	V3	55	48	28	14
27.V315.88WNL06	V3	55	59	6	15,88
27.V315.88WNL28	V3	55	48	28	15,88
27.V316WNL06	V3	55	59	6	16
27.V316WNL28	V3	55	48	28	16
27.V316WNL65	V3	55	48	65	16
27.V318WNL28	V3	55	52	28	18
27.V319.05WNL06	V3	55	59	6	19,05
27.V319.05WNL28	V3	55	52	28	19,05

## Weldon / whistle notch Einsatz

EWS-Varia V3/V4

## Weldon / whistle notch insert

EWS-Varia V3/V4



Nr. / No.	V	D	D1	L	d
27.V320WNL58	V3	55	52	58	20
27.V404WNL26	V4	65	25	26	4
27.V405WNL16	V4	65	25	16	5
27.V406.35WNL06	V4	65	69	6	6,35
27.V406.35WNL26	V4	65	25	26	6,35
27.V406WNL16	V4	65	25	16	6
27.V406WNL26	V4	65	25	26	6
27.V408WNL06	V4	65	69	6	8
27.V408WNL19	V4	65	25	19	8
27.V408WNL29	V4	65	28	29	8
27.V409.53WNL06	V4	65	69	6	9,53
27.V409.53WNL26	V4	65	42	26	9,53
27.V409WNL26	V4	65	42	26	9
27.V410WNL06	V4	65	69	6	10
27.V410WNL26	V4	65	42	26	10
27.V412.7WNL06	V4	65	69	6	12,7

Nr. / No.	V	D	D1	L	d
27.V412.7WNL28	V4	65	42	28	12,7
27.V412WNL06	V4	65	69	6	12
27.V412WNL28	V4	65	42	28	12
27.V414WNL28	V4	65	48	28	14
27.V415.88WNL06	V4	65	69	6	15,88
27.V415.88WNL28	V4	65	48	28	15,88
27.V416WNL06	V4	65	69	6	16
27.V416WNL28	V4	65	48	28	16
27.V418WNL28	V4	65	52	28	18
27.V419.05WNL06	V4	65	69	6	19,05
27.V419.05WNL28	V4	65	52	28	19,05
27.V420WNL06	V4	65	69	6	20
27.V420WNL28	V4	65	52	28	20
27.V425.4WNL33	V4	65	60	33	25,4
27.V425WNL33	V4	65	60	33	25

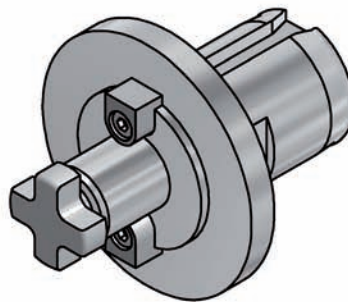
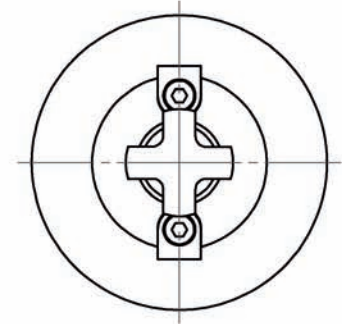
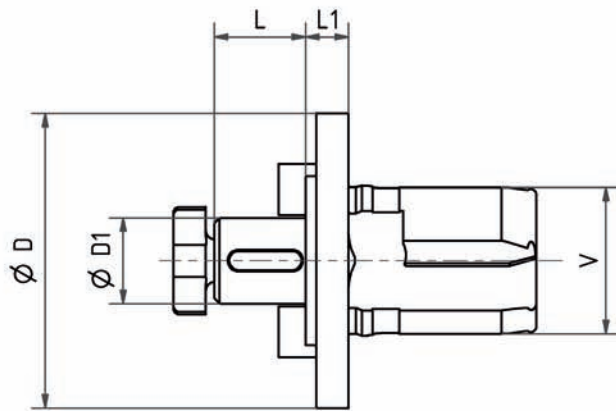


## Fräseinsatz

EWS-Varia V3/V4

## Millering insert

EWS-Varia V3/V4



Nr. / No.	V	D	D1	L	L1
42.V308L28	V3	55	8	34,5	5,5
42.V310L28	V3	55	10	34,5	5,5
42.V313L08.5	V3	55	13	14,5	8
42.V316L08	V3	55	16	17	8
42.V322L08	V3	55	22	28	8
42.V322L28	V3	55	22	56	28
42.V327L08	V3	55	27	21	8
42.V413L08	V4	65	13	12,2	8
42.V416L08	V4	65	16	19	8
42.V422L08	V4	65	22	19	8
42.V427L08	V4	65	27	21	8

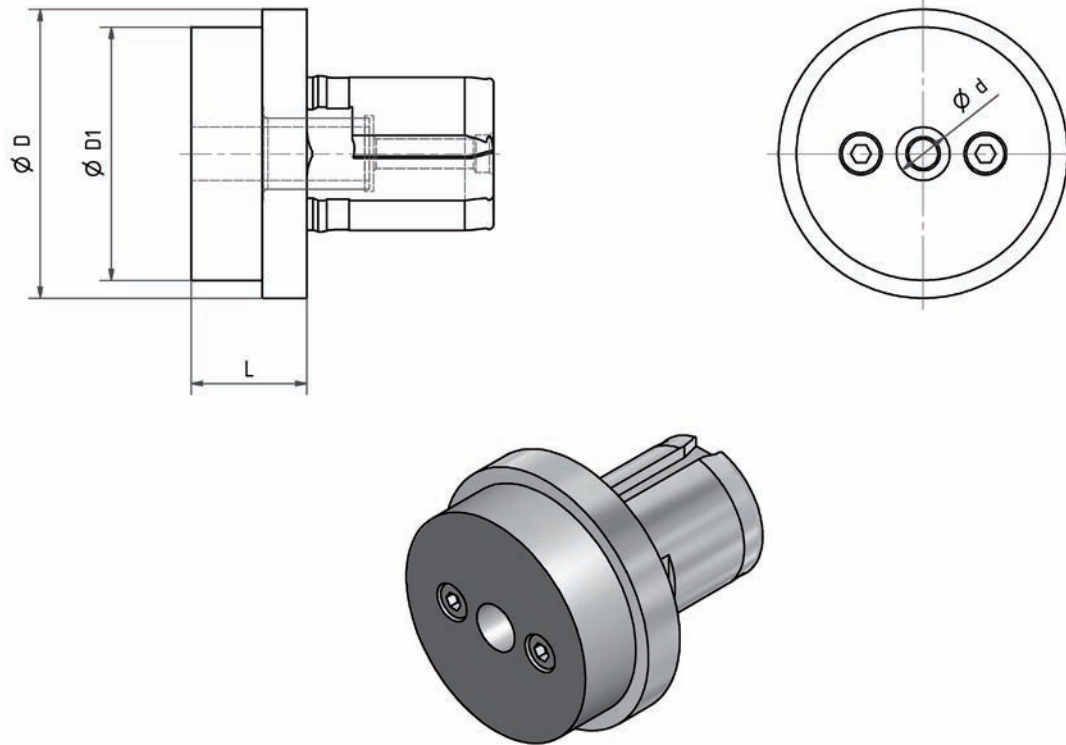
Nr. / No.	V	D	D1	L	L1
42.V316L08IK	V3	55	16	17	8
42.V322L08IK	V3	55	22	28	8
42.V327L08IK	V3	55	27	29	8
42.V422L08IK	V4	65	22	19	8
42.V427L08IK	V4	65	27	21	8

**Hydrodehn Einsatz**

EWS-Varia V3/V4

**Hydrodehn insert**

EWS-Varia V3/V4



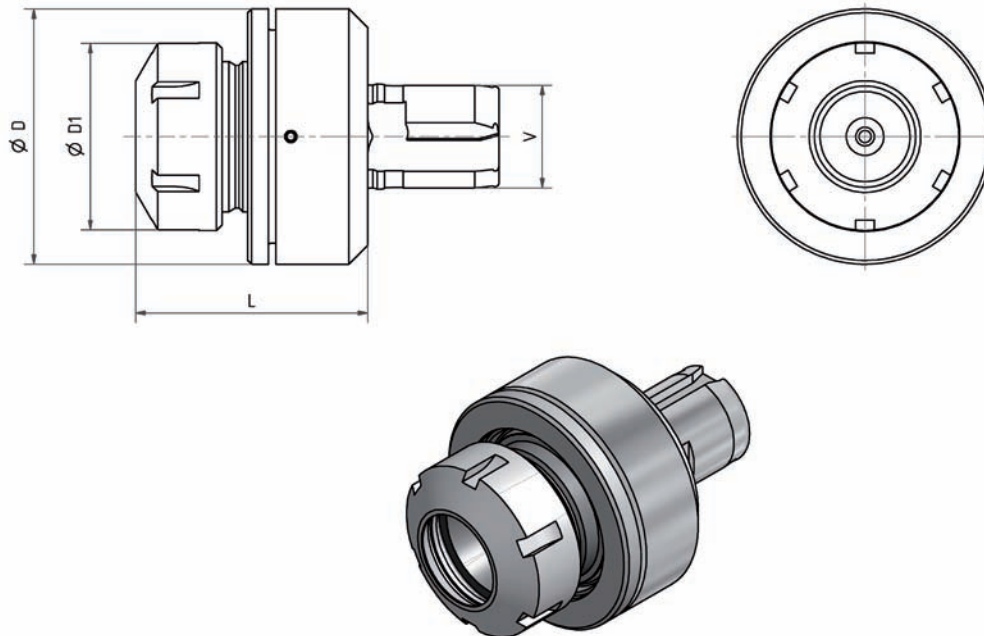
Nr. / No.	V	D	D1	L	d
27.V312HYDL26	V3	55	57	26	12
27.V412HYDL26	V4	65	57	26	12
27.V416HYDL26	V4	65	59	26	16
27.V420HYDL26	V4	65	59	26	20

**Pendelhalter Spannzangeneinsatz**

EWS-Varia V3/V4

**Floating toolholder collet chuck**

EWS-Varia V3/V4



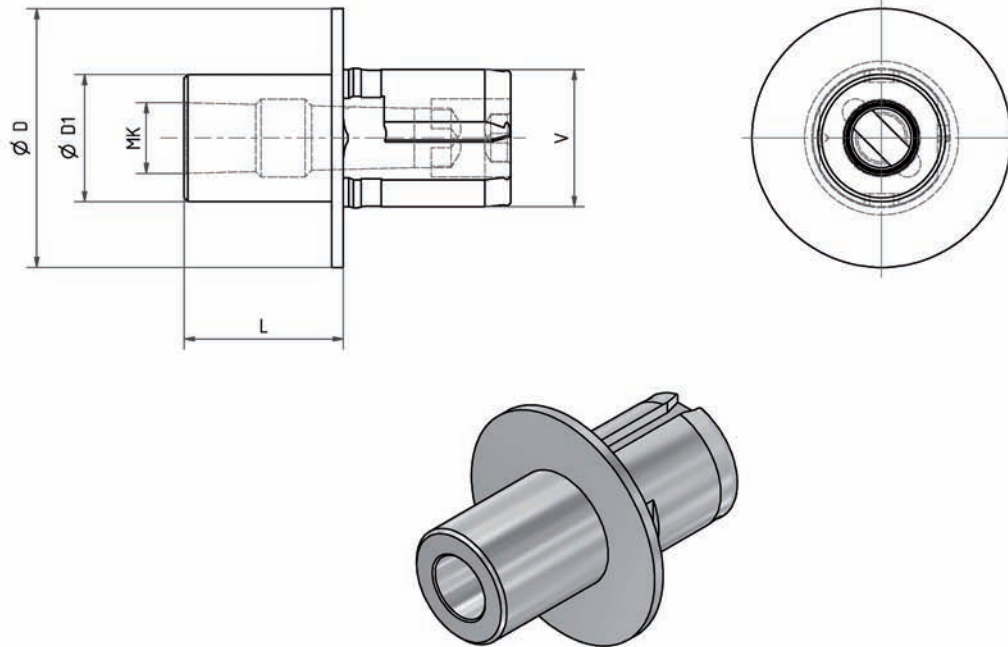
Nr. / No.	V	D	D1	L	Spannzange
PH31.V325L63	V3	58	42	63	ER25
PH31.V332L63	V3	68	50	63	ER32
PH31.V425L42	V4	65	42	42	ER25
PH31.V432L82	V4	63	50	82	ER32

**Morsekegel**

EWS-Varia V3/V4

**Morse taper adaptor**

EWS-VariaV3/V4



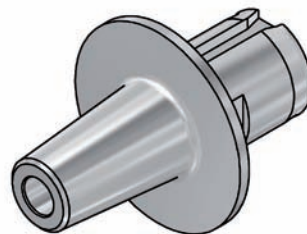
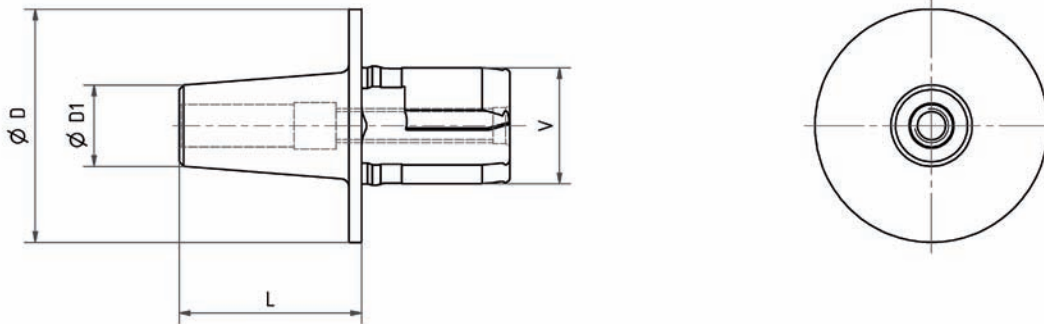
Nr. / No.	V	D	D1	L	MK
25.V310L30	V3	55	25	30	1
25.V320L42	V3	55	32	42	2
25.V410L30	V4	65	25	30	1
25.V420L40	V4	65	32	40	2

## Vollbohrerhalter

EWS-Varia V3/V4

## U-drill holder

EWS-Varia V3/V4



Nr. / No.	V	D	D1	L
27.V304L38SHR	V3	55	12	38
27.V305L38SHR	V3	55	12	38
27.V306L38SHR	V3	55	14	38
27.V308L38SHR	V3	55	14	38
27.V309L38SHR	V3	55	15	38
27.V310L43SHR	V3	55	19	43
27.V312L43SHR	V3	55	19	43
27.V314L54SHR	V3	55	27	54
27.V316L54SHR	V3	55	27	54
27.V404L54SHR	V4	65	10	54

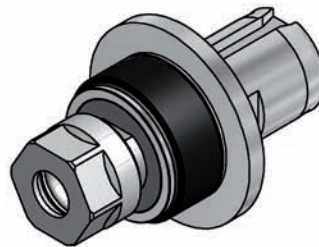
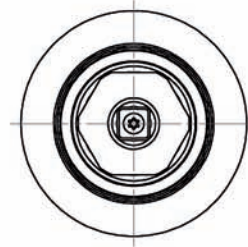
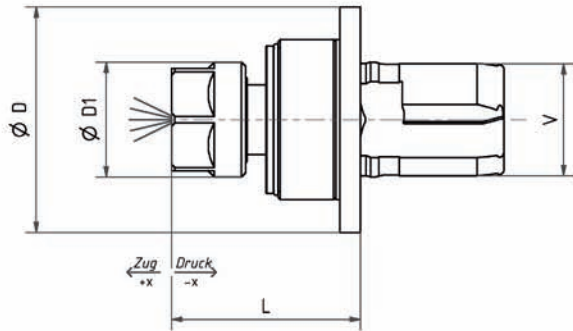
Nr. / No.	V	D	D1	L
27.V406L54SHR	V4	65	21	54
27.V408L54SHR	V4	65	21	54
27.V410L54SHR	V4	65	24	54
27.V412L54SHR	V4	65	24	54
27.V414L54SHR	V4	65	27	54
27.V416L54SHR	V4	65	27	54
27.V418L54SHR	V4	65	30	54
27.V420L61.5SHR	V4	65	33	61,5
27.V425L67.5SHR	V4	65	44	67,5

## Gewindeschneidkopf

EWS-Varia V3/V4

## Tapping head

EWS-Varia V3/V4



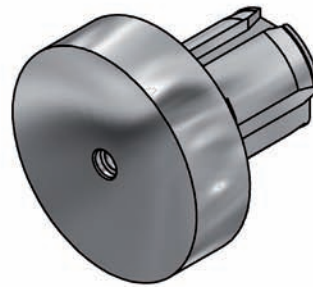
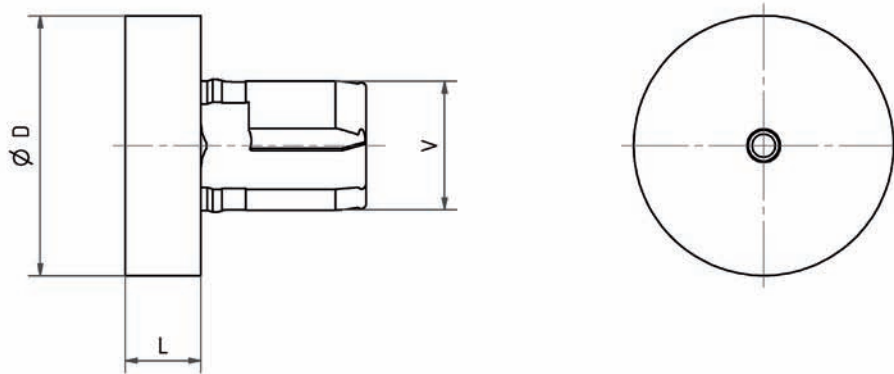
Nr. / No.	V	D	D1	L	X
41.V3SC012L25IK	V3	55	16	25	0,5
41.V3SC116L50IK	V3	55	28	50	0,5
41.V4SC012L22IK	V4	65	16	22	0,5
41.V4SC116L33IK	V4	65	28	33	0,5
41.V4SC332L83IK	V4	65	50	83	0,5

## Verschlussstopfen

EWS-Varia V3/V4

## Plug

EWS-Varia V3/V4



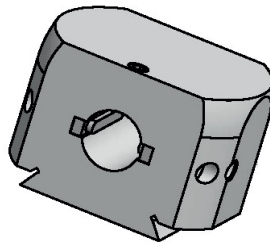
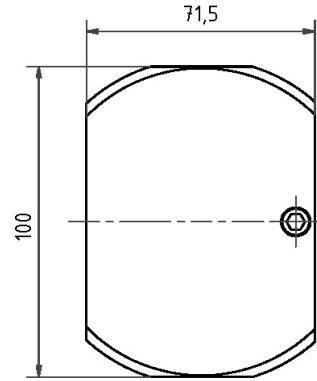
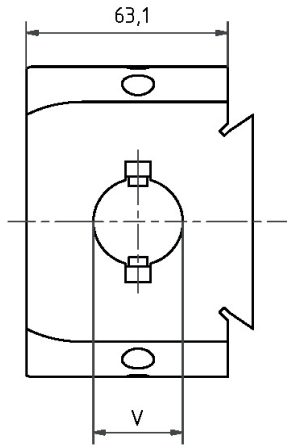
Nr. / No.	V	D	L
29.V3S	V3	55	16
29.V4S	V4	65	16

**Montageblock**

EWS-Varia V3/V4

**Assembly block**

EWS-Varia V3/V4



Nr. / No.	V
MW-V3	V3
MW-V4	V4

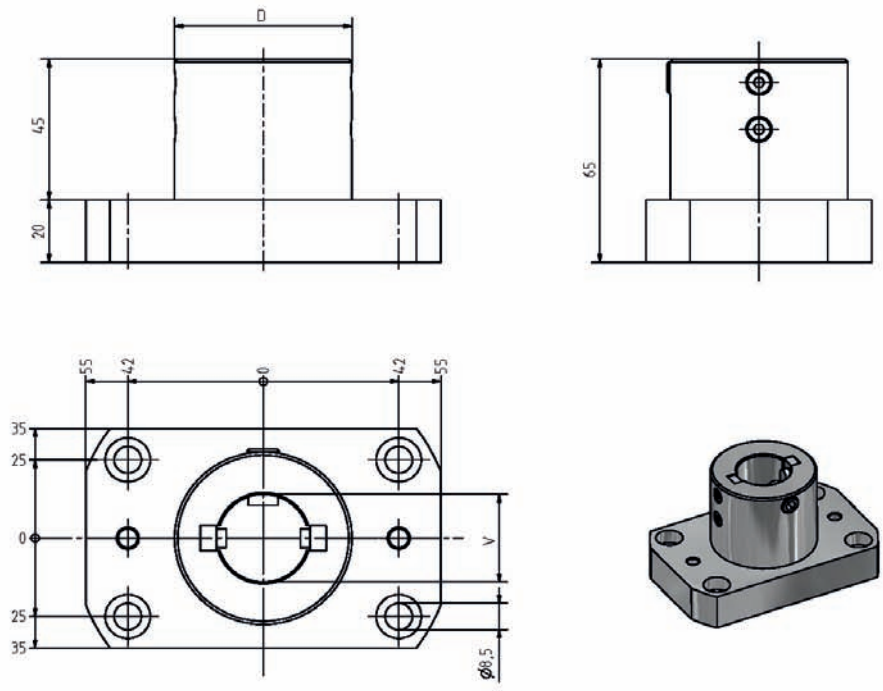


**Montageblock und  
Messvorrichtung**

EWS-Varia V3/V4

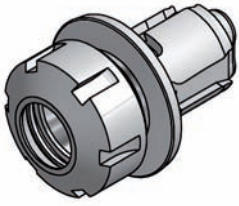
**Assembly block and  
measuring fixture**

EWS-Varia V3/V4



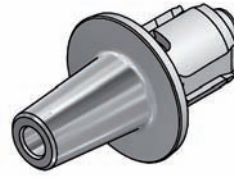
Nr. / No.	V	D
MB-V3	V3	55
MB-V4	V4	65

## Inhaltsverzeichnis / Contents : Varia VX



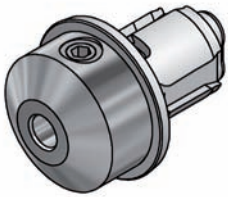
**Spannzangen-  
einsatz/  
Collet chuck**

8.14



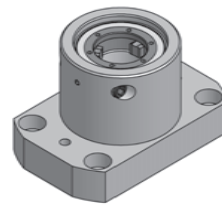
**Vollbohrerhalter/  
U-drill holder**

8.17



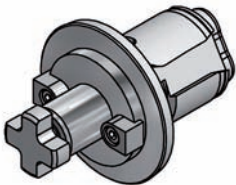
**Weldon/whistle  
notch Einsatz/  
Weldon/whistle  
notch insert**

8.15



**Montageblock/  
Assembly block**

8.18



**Fräseinsatz/  
Millering insert**

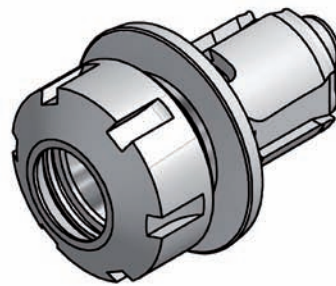
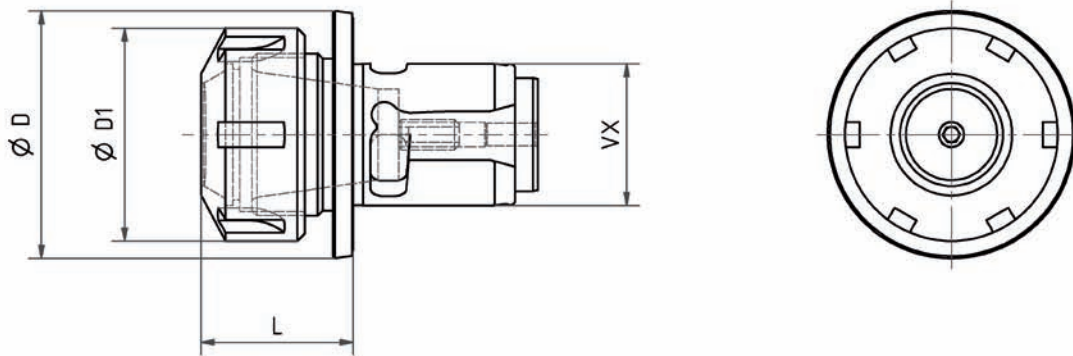
8.16

## Spannzangeneinsatz

EWS-Varia VX3/VX4

## Collet chuck

EWS-Varia VX3/VX4



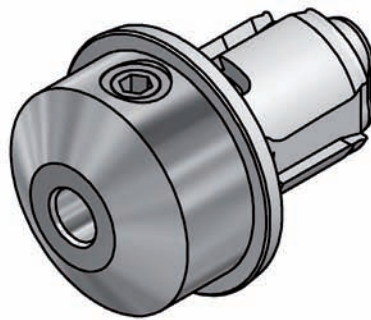
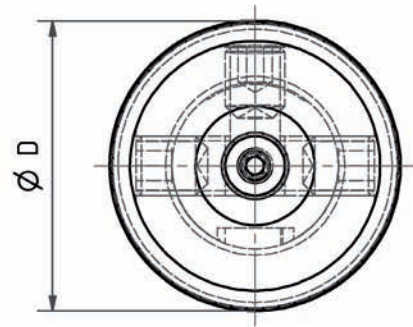
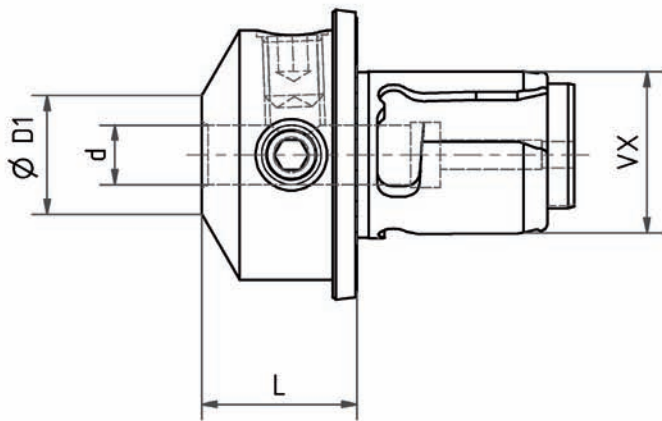
Nr. / No.	VX	D	D1	L
31.VX316L25	VX3	49	28	25
31.VX325L30	VX3	49	42	30
31.VX332L63	VX3	49	50	63
31.VX432L30	VX4	64	50	30
31.VX440L57	VX4	64	63	57

## Weldon / whistle notch Einsatz

EWS-Varia VX3/VX4

## Weldon / whistle notch insert

EWS-Varia VX3/VX4



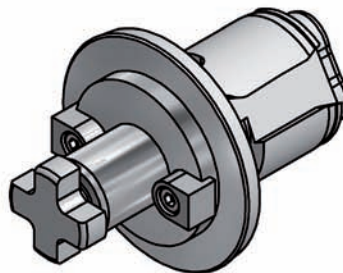
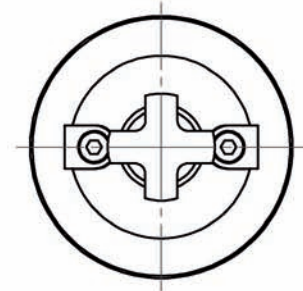
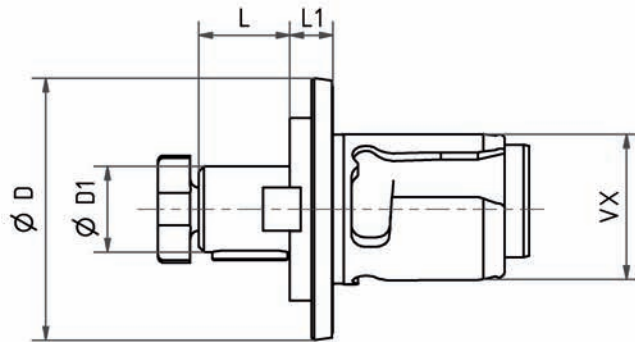
Nr. / No.	VX	D	D1	d	L
27.VX306WNL16	VX3	49	25	6	16
27.VX308WNL17	VX3	49	25	8	17
27.VX310WNL26	VX3	49	42	10	26
27.VX312WNL26	VX3	49	42	12	26
27.VX314WNL28	VX3	49	48	14	28
27.VX316WNL28	VX3	49	48	16	28
27.VX419.05WNL28	VX4	64	52	19,05	28
27.VX425.4WNL33	VX4	64	60	25,4	33

## Fräseinsatz

EWS-Varia VX3/VX4

## Millering insert

EWS-Varia VX3/VX4



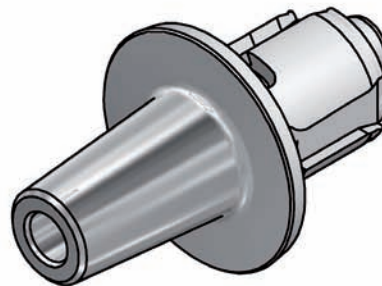
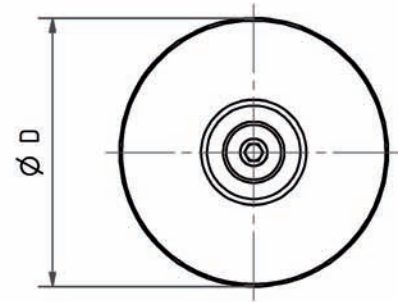
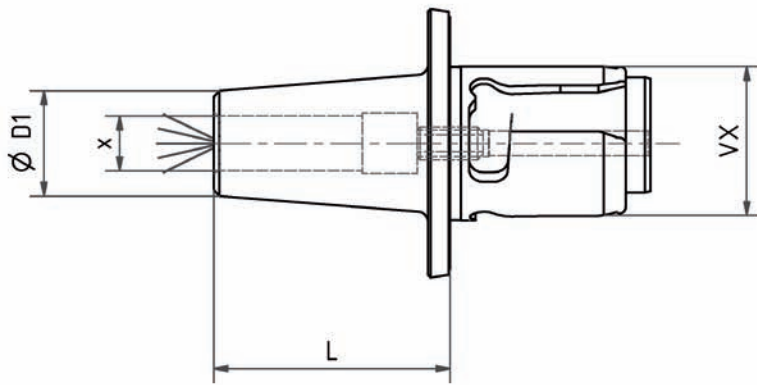
Nr. / No.	VX	D	D1	L	L1
42.VX316L08	VX3	49	16	17	8
42.VX316L08IK	VX3	49	16	17	8
42.VX322L08	VX3	49	22	19	8
42.VX322L08IK	VX3	49	22	19	8
42.VX327L08	VX3	49	27	21	8
42.VX419.05L08	VX3	64	19,05	17	8
42.VX425.4L08	VX4	64	25,4	17,4	8
42.VX427L08	VX4	64	27	21	8

**Vollbohrerhalter**

EWS-Varia VX3/VX4

**U-drill holder**

EWS-Varia VX3/VX4



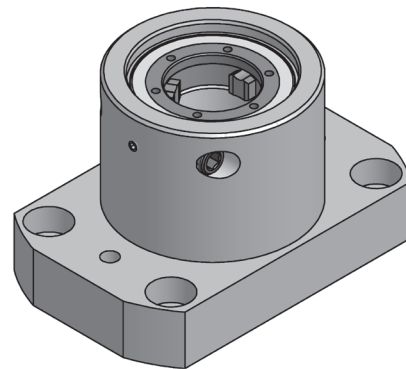
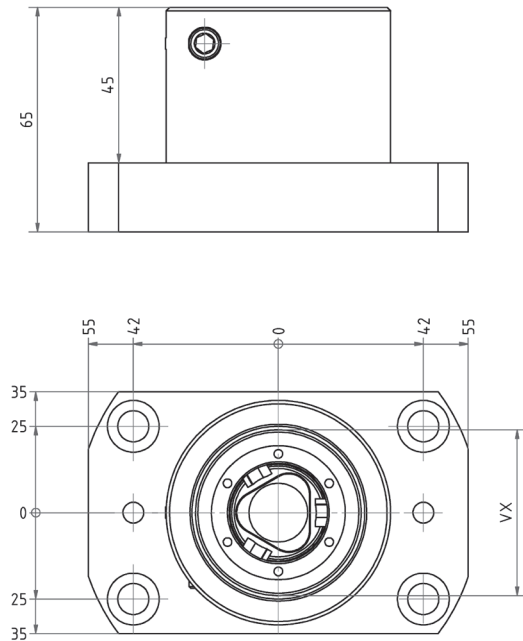
Nr. / No.	VX	D	D1	L	x
27.VX306L38SHR	VX3	49	14	34	6
27.VX308L38SHR	VX3	49	14	34	8
27.VX310L43SHR	VX3	49	19	39	10
27.VX312L43SHR	VX3	49	19	39	12
27.VX316L54SHR	VX3	49	27	50	16
27.VX416L54SHR	VX4	64	27	50	16

**Montageblock und  
Messvorrichtung**

EWS-Varia VX3/VX4

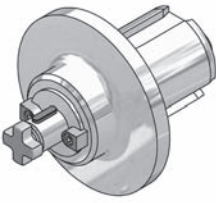
**Assembly block and  
measuring fixture**

EWS-Varia VX3/VX4



Nr. / No.	VX
MB-VX3	VX3
MB-VX4	VX4

## Inhaltsverzeichnis / Contents : Varia V5

	<b>Spannzangen- einsatz/ Collet chuck</b>	8.19 - 8.20		<b>Morsekegel/ Morse taper adaptor</b>	8.25
	<b>Weldon/whistle notch Einsatz/ Weldon/whistle notch insert</b>	8.21		<b>Vollbohrerhalter/ U-drill holder</b>	8.26
	<b>Fräseinsatz/ Millering insert</b>	8.22		<b>Gewindeschneidkopf/ Tapping head</b>	8.27
	<b>Hydrodehn Einsatz/ Hydrodehn insert</b>	8.23		<b>Verschlussstopfen/ Plug</b>	8.28
	<b>Pendelhalter Spann- zangeneinsatz/ Floating toolholder collet chuck</b>	8.24		<b>Montageblock/ Assembly block</b>	8.29 - 8.30



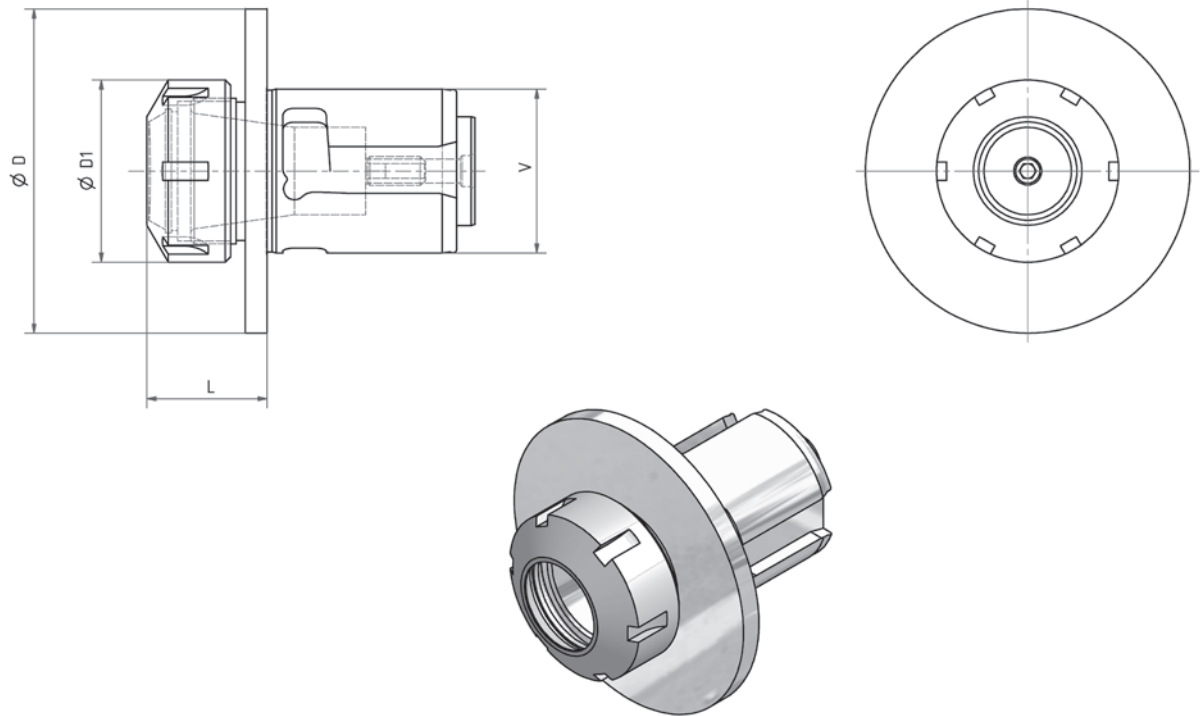


**Spannzangeneinsatz**

EWS-Varia V5

**Collet chuck**

EWS-Varia V5



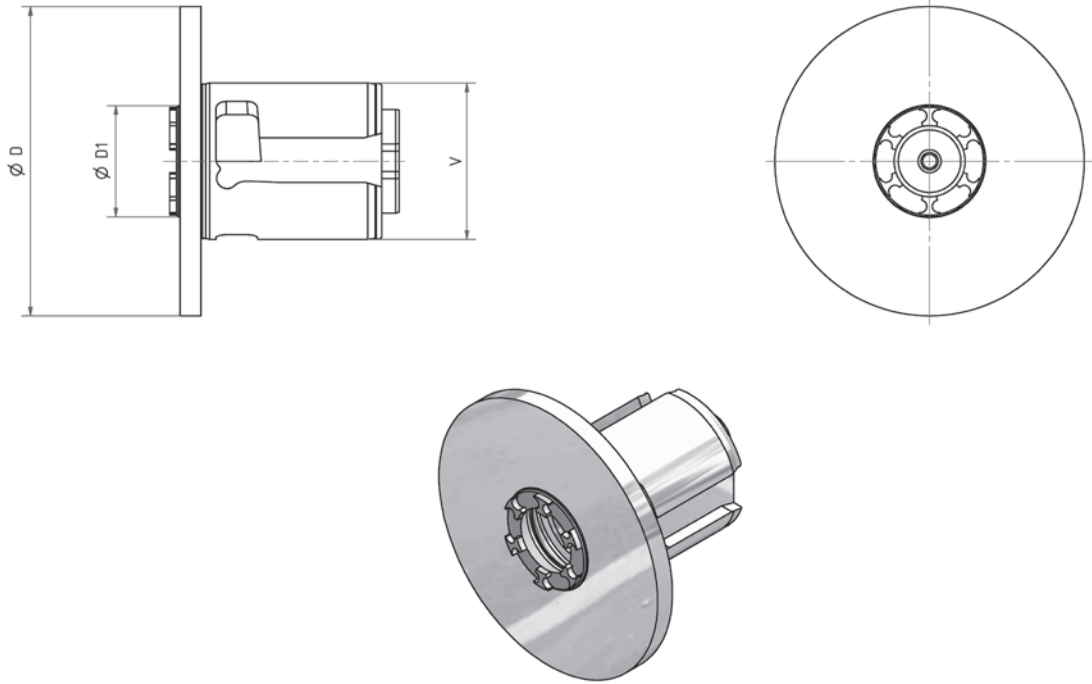
Nr. / No.	V	D	D1	L
31.V525L31	V5	89	42	31
31.V532L33	V5	89	50	33
31.V540L38	V5	89	63	38
31.V540L60	V5	89	63	60

**Spannzangeneinsatz**

EWS-Varia V5

**Collet chuck**

EWS-Varia V5



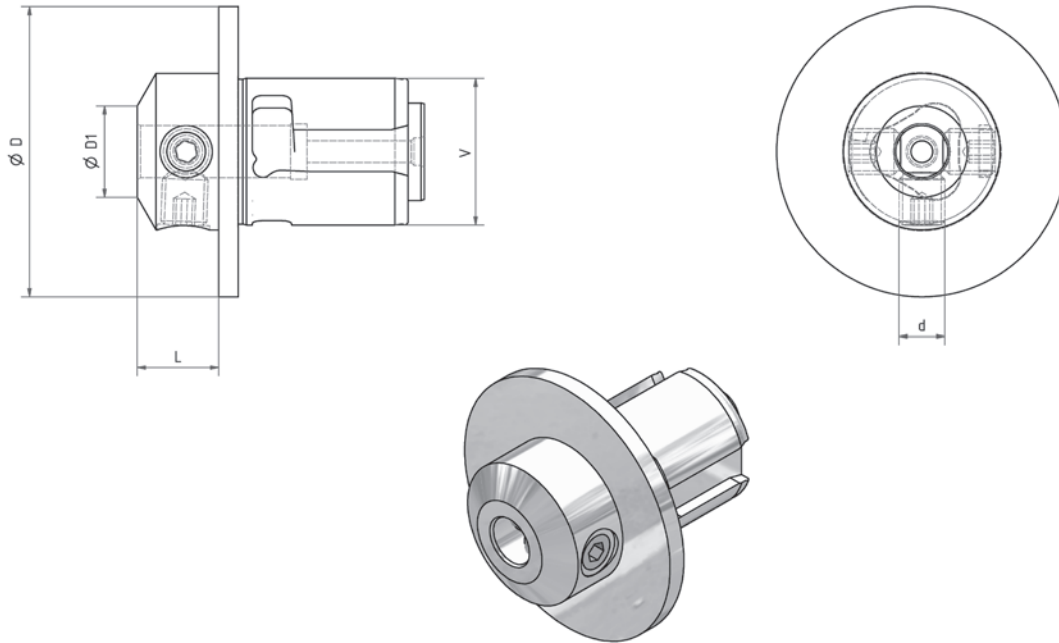
Nr. / No.	V	D	D1	L
31.V525IML06	V5	89	32	6

## Weldon / whistle notch Einsatz

EWS-Varia V5

## Weldon / whistle notch insert

EWS-Varia V5



Nr. / No.	V	D	D1	L	d
27.V506.35WNL06	V5	89	92	6	6,35
27.V506.35WNL19	V5	89	25	19	6,35
27.V506WNL19	V5	89	25	19	6
27.V506WNL60	V5	89	25	60	6
27.V508WNL22	V5	89	28	22	8
27.V508WNL60	V5	89	28	60	8
27.V509.53WNL06	V5	89	92	6	9,53
27.V509.53WNL29	V5	89	35	29	9,53
27.V510WNL29	V5	89	35	29	10
27.V510WNL60	V5	89	35	60	10
27.V512.7WNL06	V5	89	92	6	12,7
27.V512.7WNL31	V5	89	42	31	12,7
27.V512WNL06	V5	89	92	6	12
27.V512WNL31	V5	89	42	31	12
27.V514WNL200	V5	89	48	200	14
27.V514WNL31	V5	89	48	31	14
27.V515.88WNL06	V5	89	92	6	15,88

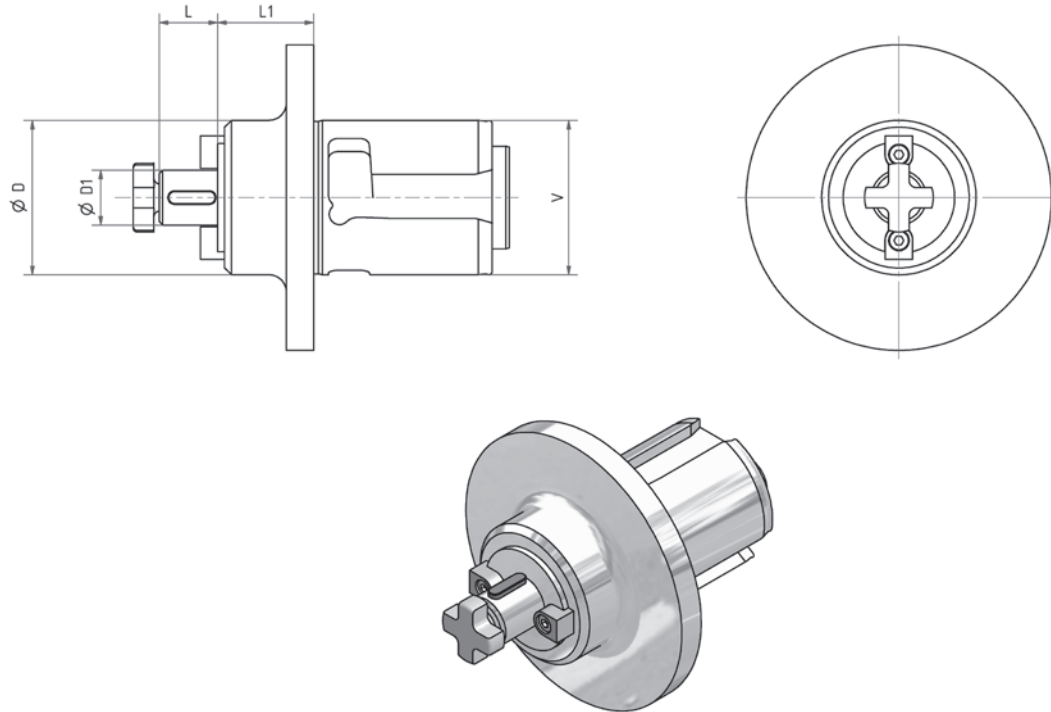
Nr. / No.	V	D	D1	L	d
27.V515.88WNL31	V5	89	52	31	15,88
27.V516WNL06	V5	89	92	6	16
27.V516WNL200	V5	89	48	200	16
27.V516WNL31	V5	89	48	31	16
27.V518WNL31	V5	89	52	31	18
27.V519.05WNL06	V5	89	92	6	19,05
27.V519.05WNL31	V5	89	52	31	19,05
27.V520WNL06	V5	89	92	6	20
27.V520WNL31	V5	89	52	31	20
27.V525.4WNL06	V5	89	92	6	25,4
27.V525.4WNL36	V5	89	65	36	25,4
27.V525WNL06	V5	89	92	6	25
27.V525WNL36	V5	89	65	36	25
27.V525WNL60	V5	89	65	60	25
27.V531.75WNL56	V5	89	72	56	31,75
27.V532WNL56	V5	89	72	56	32

## Fräseinsatz

EWS-Varia V5

## Millering insert

EWS-Varia V5



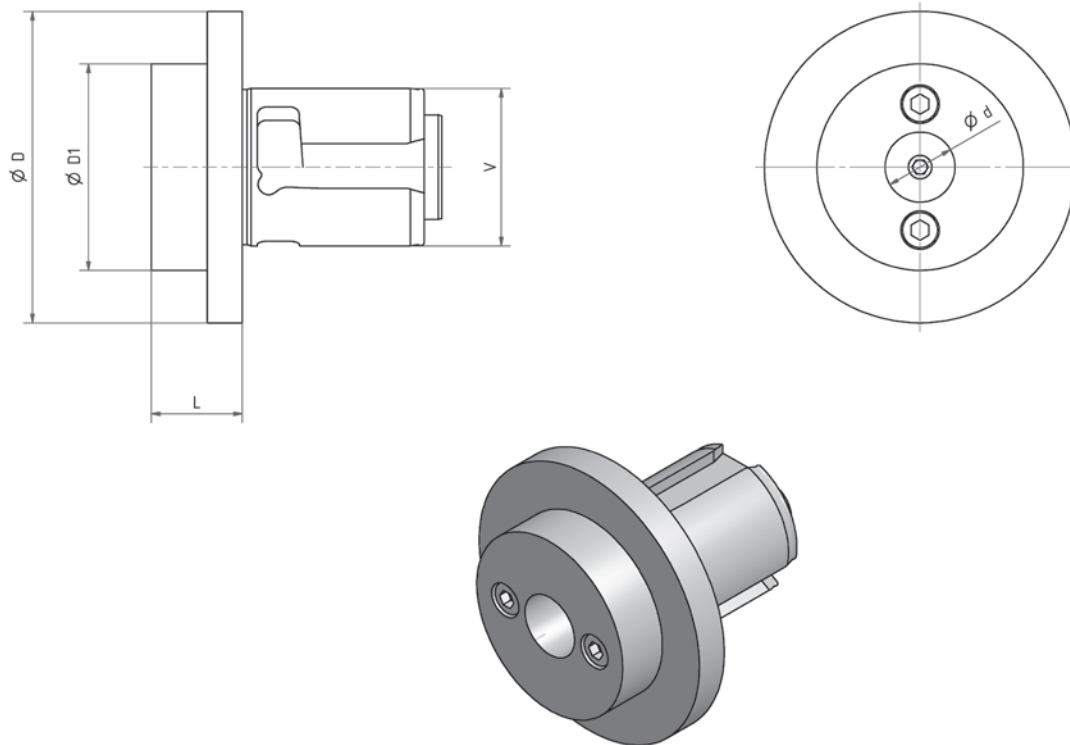
Nr. / No.	V	D	D1	L	L1
42.V516L08	V5	89	16	17	8
42.V516L28	V5	89	16	17	28
42.V522L08	V5	89	22	19	8
42.V522L24	V5	89	22	47	24
42.V522L32	V5	89	22	39	32
42.V527L12	V5	89	27	21	12
42.V530L100	V5	89	30	10	100
42.V516L28IK	V5	89	16	17	28
42.V532L14IK	V5	89	32	24	14

**Hydrodehn Einsatz**

EWS-Varia V5

**Hydrodehn insert**

EWS-Varia V5



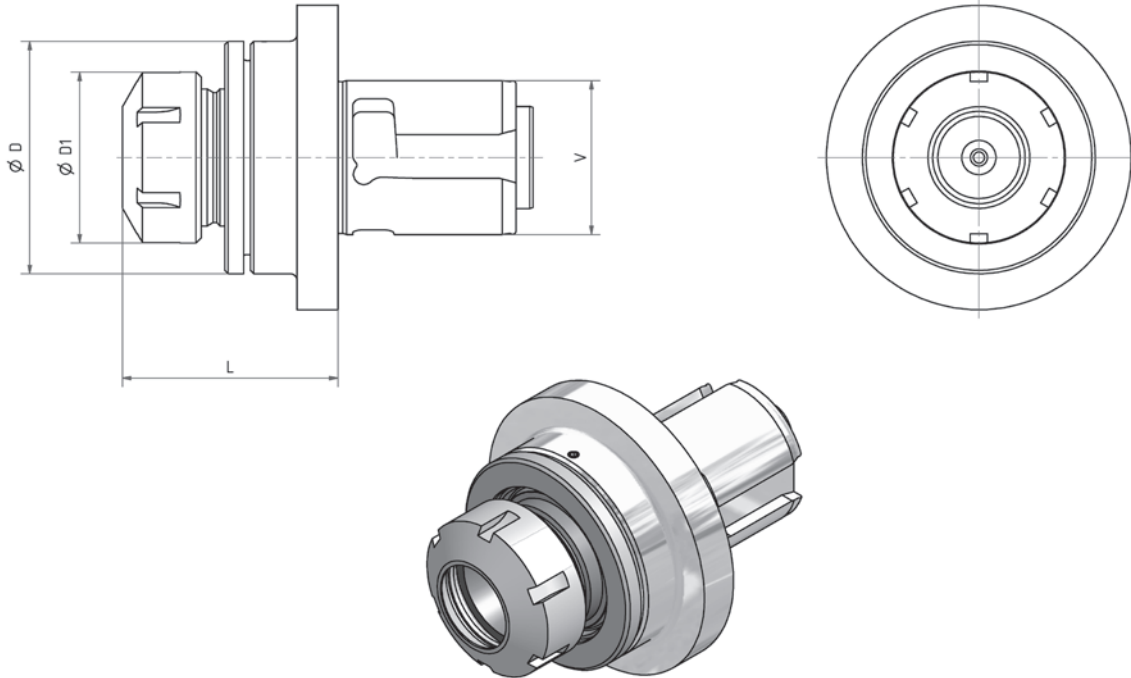
Nr. / No.	V	D	D1	L	d
27.V520HYDL26	V5	89	58	26	20
27.V532HYDL62	V5	89	75	62	32

**Pendelhalter Spannzangeneinsatz**

EWS-Varia V5

**Floating toolholder collet chuck**

EWS-Varia V5



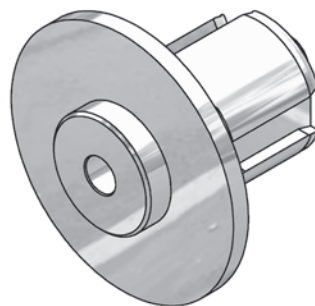
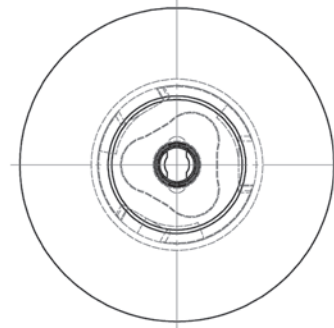
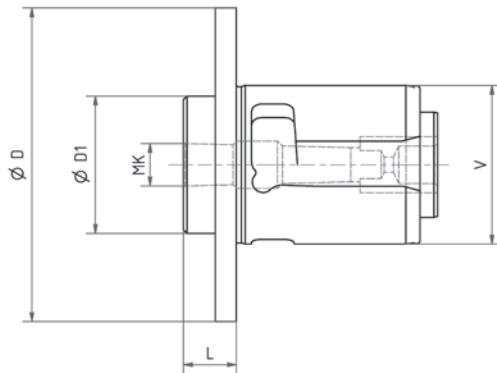
Nr. / No.	V	D	D1	L	Spannzange
PH31.V532L63	V5	63	50	63	ER32

**Morsekegel**

EWS-Varia V5

**Morse taper adaptor**

EWS-VariaV5



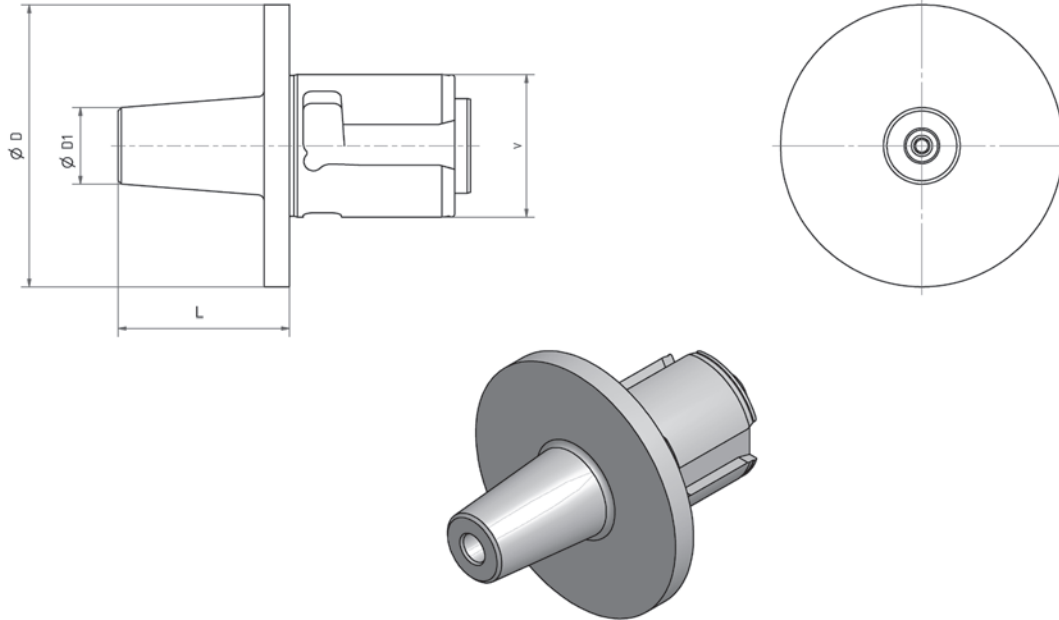
Nr. / No.	V	D	D1	L	MK
25.V510L15	V5	89	39	15	1
25.V520L36	V5	89	39	36	2
25.V530L57	V5	89	45	57	3

**Vollbohrerhalter**

EWS-Varia V5

**U-drill holder**

EWS-Varia V5



Nr. / No.	V	D	D1	L
27.V506L54SHR	V5	89	21	54
27.V508L54SHR	V5	89	21	65
27.V510L54SHR	V5	89	24	54
27.V512L54SHR	V5	89	24	54
27.V516L54SHR	V5	89	27	54

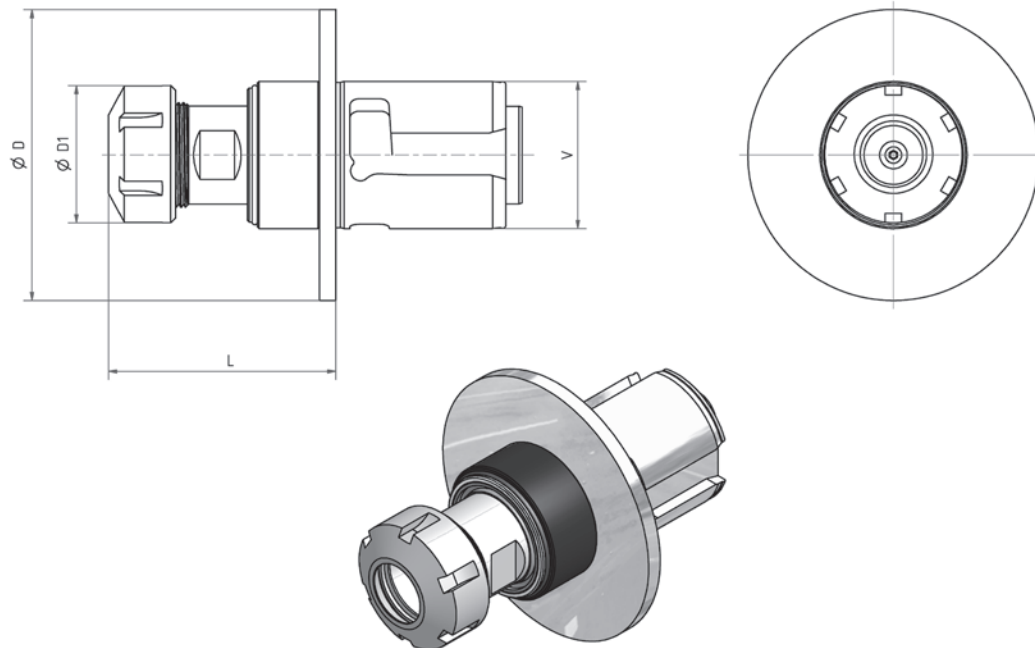


## Gewindeschneidkopf

EWS-Varia V5

## Tapping head

EWS-Varia V5



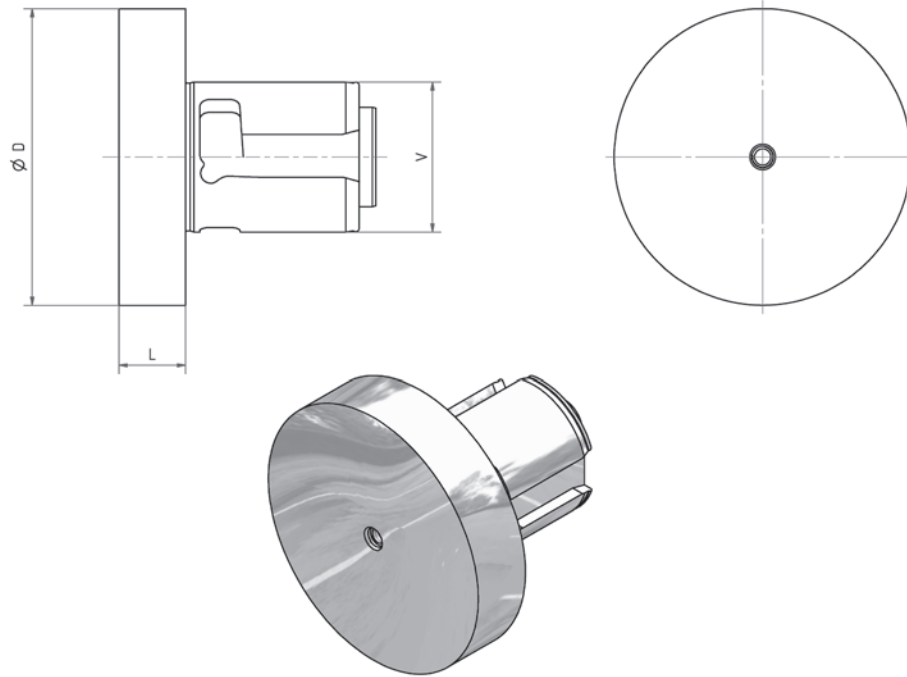
Nr. / No.	V	D	D1	L	x
41.V5SC116L32IK	V5	89	28	32	0,5
41.V5SC325L69IK	V5	89	42	69	0,5
41.V5SC332L73IK	V5	89	50	73	0,5
41.V5SC440L106IK	V5	89	63	106	0,7

**Verschlussstopfen**

EWS-Varia V5

**Plug**

EWS-Varia V5



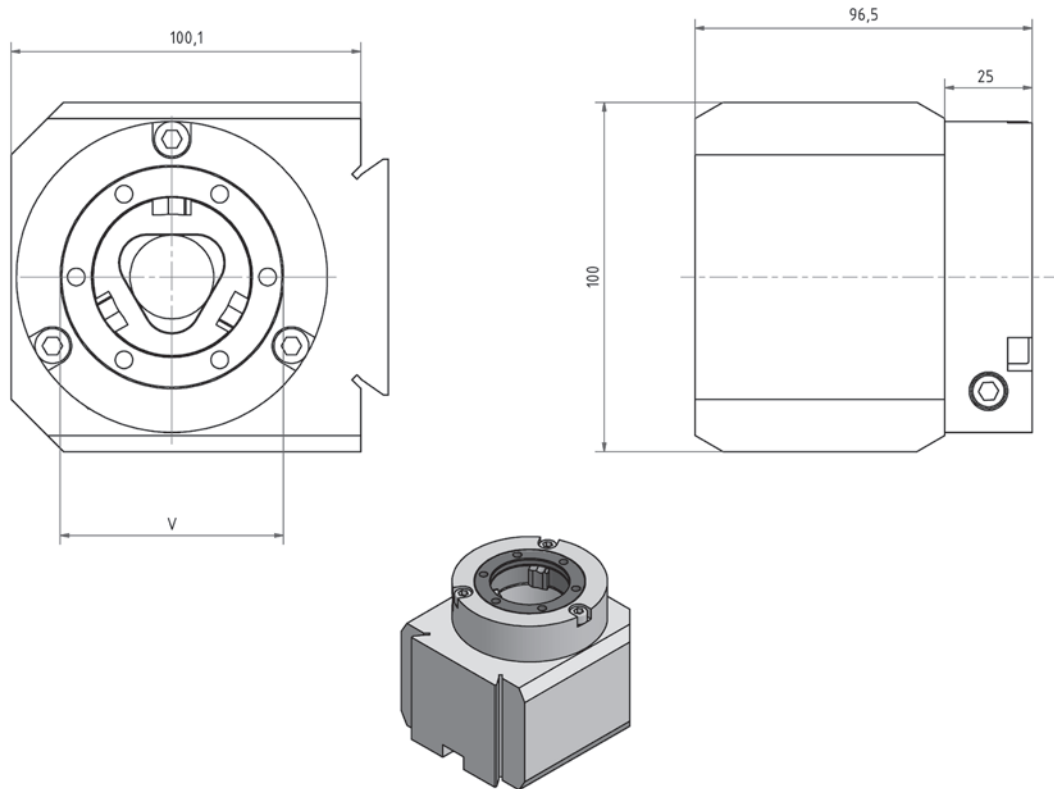
Nr. / No.	V	D	L
29.V5S	V5	89	20

**Montageblock**

EWS-Varia V5

**Assembly block**

EWS-Varia V5



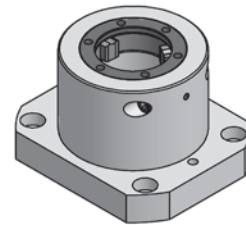
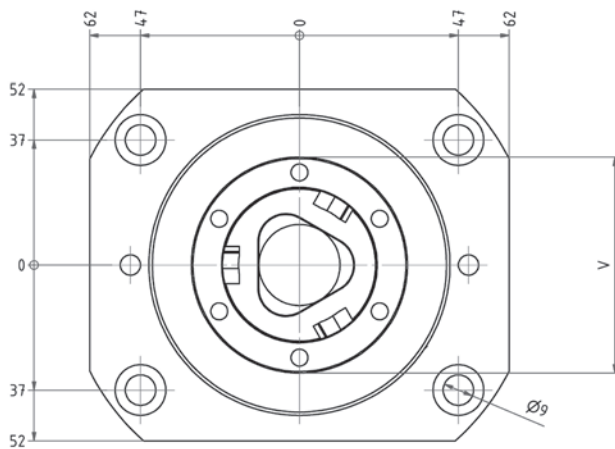
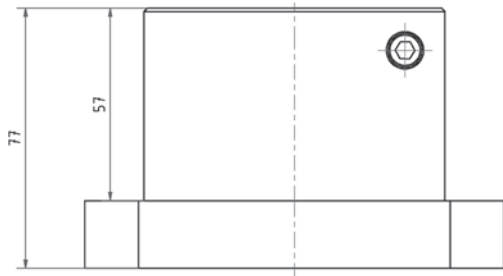
Nr. / No.	V
MW-V5	V5

**Montageblock und  
Messvorrichtung**

EWS-Varia V5

**Assembly block and  
measuring fixture**

EWS-Varia V5



Nr. / No.	V
MB-V5	V5



### **EWS Weigele GmbH & Co. KG**

Maybachstraße 1 · D-73066 Uhingen  
Telefon +49(0)7161-93040-100  
Telefax +49(0)7161-93040-30  
E-Mail: [info@ews-tools.de](mailto:info@ews-tools.de)  
[www.ews-tools.de](http://www.ews-tools.de)

### **WSW Spannwerkzeuge-Vertriebs GmbH**

Maybachstr. 1 · D-73066 Uhingen  
Telefon +49(0)7161-93040-100  
Telefax +49(0)7161-93040-30  
E-Mail: [info@wsw-collets.de](mailto:info@wsw-collets.de)  
[www.wsw-collets.de](http://www.wsw-collets.de)

### **Command Tooling Systems**

13931 Sunfish Lake Blvd NW  
Ramsey · MN 55303 USA  
Telefon +1-763-576-6910  
Telefax +1-763-576-6911  
[support@commandtool.com](mailto:support@commandtool.com)  
[www.commandtool.com](http://www.commandtool.com)

### **EWS Korea Co. Ltd.**

60-11 · Woongnam-Dong  
Changwon  
Kyoung-Nam Korea  
Telefon +82 55-267-8085  
Telefax +82 55-262-3118  
E-Mail: [info@ewskorea.co.kr](mailto:info@ewskorea.co.kr)  
[www.ewskorea.co.kr](http://www.ewskorea.co.kr)

### **EWS Ltd.**

Krassnaja str., 38  
600015 Vladimir  
Russland  
Telefon +7-4922-541160  
Telefax +7-4922-541160  
E-Mail: [info@ews-russland.ru](mailto:info@ews-russland.ru)  
[www.ews-russland.ru](http://www.ews-russland.ru)

